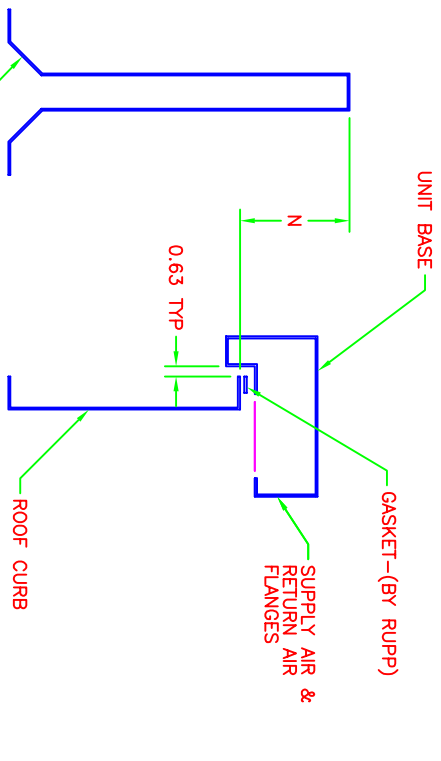
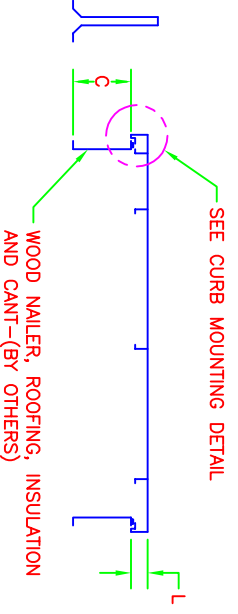


TOP VIEW



CURB MOUNTING DETAIL



TYPICAL SIDE VIEW

**REQUIRED OPENINGS

- O-RETURN AIR
- O-SUPPLY AIR
- O-NEITHER

MODEL NO	A	B	C	D	E	F	G	H	J	K	L	M	N
9	67.25	43.25	14	7.13	18.75	18.75	-	-	7.13	-	4	-	4.50
10	67.25	43.25	14	7.13	18.75	18.75	-	-	7.13	-	4	-	4.50
12	67.25	43.25	14	7.13	18.75	18.75	3.13	29.50	7.13	11.50	4	3.13	4.50
15	67.25	43.25	14	7.13	18.75	18.75	3.13	29.50	7.13	11.50	4	3.13	4.50
18	77	55	14	10	23	25	3.25	41.75	10.50	12.50	5	3.25	7.50
20	77	55	14	10	23	25	3.25	41.75	10.50	12.50	5	3.25	7.50
22	95	74	14	13	27.50	27.50	3.25	60.75	11.63	13.50	5	3.25	7.50
25	95	74	14	13	31.50	31.50	3.25	60.75	12.88	13.50	5	3.25	7.50
27	95	83	14	13	34.50	34.50	3.25	65.75	14.50	15.50	5	3.25	9.50
30	95	83	14	13	37	37	3.25	65.75	16	15.50	5	3.25	9.50
33	107	93	14	16	40	43.19	3.25	75.75	14	21.25	5	3.25	10.50
36	107	93	14	13	43	43.19	3.25	75.75	14	21.25	5	3.25	10.50

RUPP AIR
MANAGEMENT SYSTEMS

DRAWING/PROJECT NUMBER: 37P10111

SCALE: 1 to 1

DO NOT SCALE DRAWING OR DIMENSIONS SHOWN

DRAWN BY: TKL
DATE: 02/10/00
APPROVED BY: _____
DATE: _____

REV	TITLE	REVISION DESCRIPTION

RAM 9 THRU 36 14" HIGH STEEL ROOF CURB
RIGHT HAND UNIT (H1 H2 & H3)

ECH NO	DWG	DATE

TOLERANCES
2 PLCS ±.03
3 PLCS ±.015

DRAWING NUMBER: 1T00127C